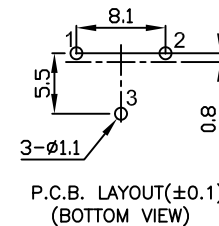
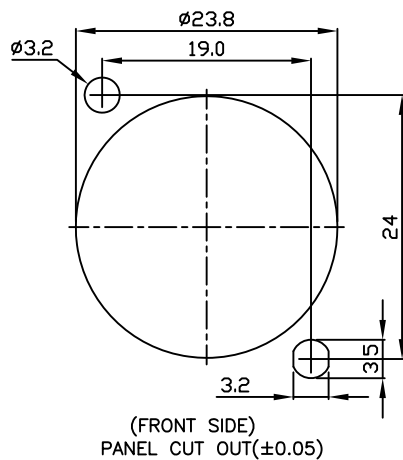
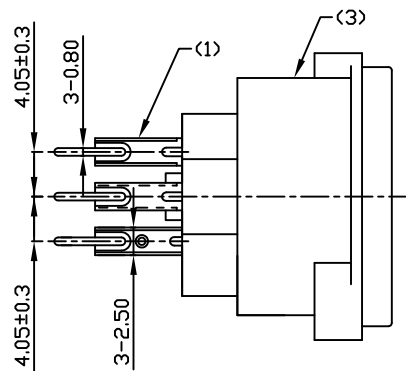
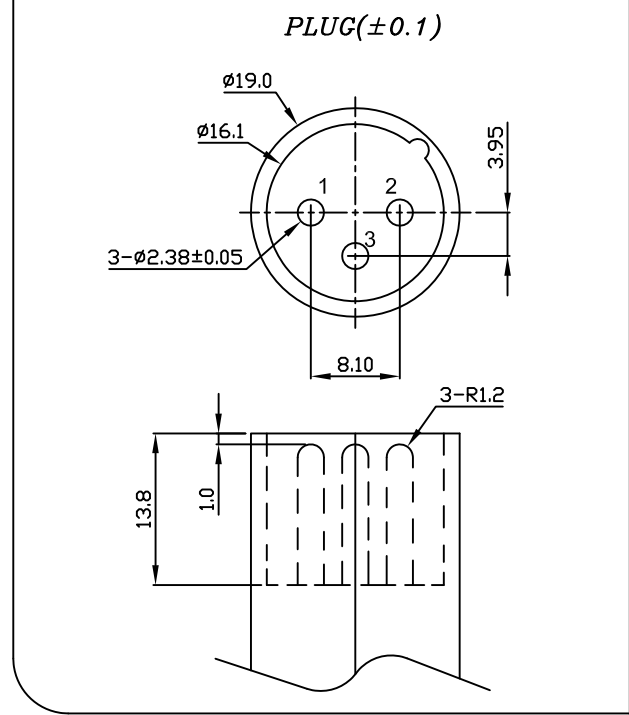
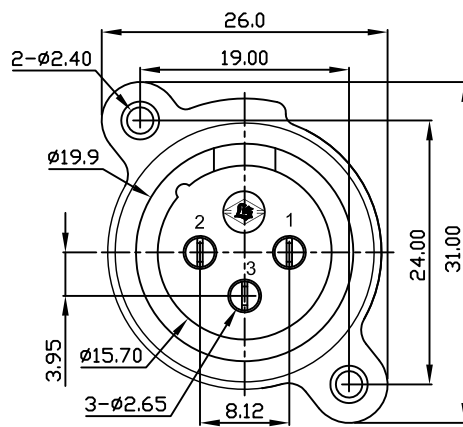
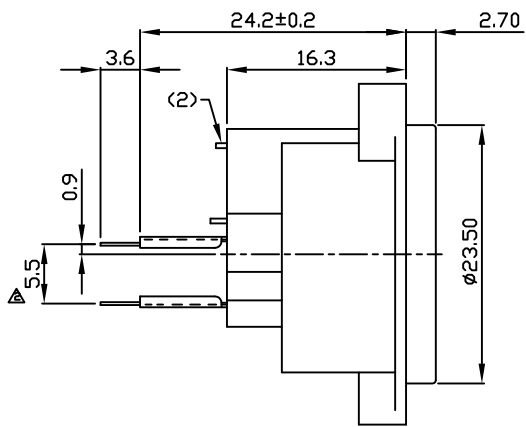


HISTORY X COUNT	DATE	ECN NO.	REV.	REVISION	SIGN.
⚠ x1	20050505		1.0	CHANGE MATERIAL SK7— SUS301	CHRIS
⚠ x1	20060313		B	修改零件位置	CHRIS
⚠ x1	06/19/06'		C	圖面重繪，PUSH改為SPRING	CHRIS



LIH SHENG PRECISION INDUSTRIAL CO., LTD.

TOLERANCE	Material		PART NAME	XLR CONNECTOR(Female seat)	
X. ±0.5	Thickness		PART NO.	LX-1602-3	
X.X ±0.3	Disposal		DATE	06/20/97'	REV:C
X.XX ±0.15	UNIT	SCALE	DRAW	CHECK	APPROVE
⊕	mm	1:1	CHRIS	KEN	COOPER

NO	PART NAME	Q'TY	MATERIAL	PLATED	REMARK
3	BODY	1	PA66		BLACK
2	SPRING ⚠	1	SUS 301 ⚠		
1	CONTACT	3	P.B.S	GOLD 2u"	