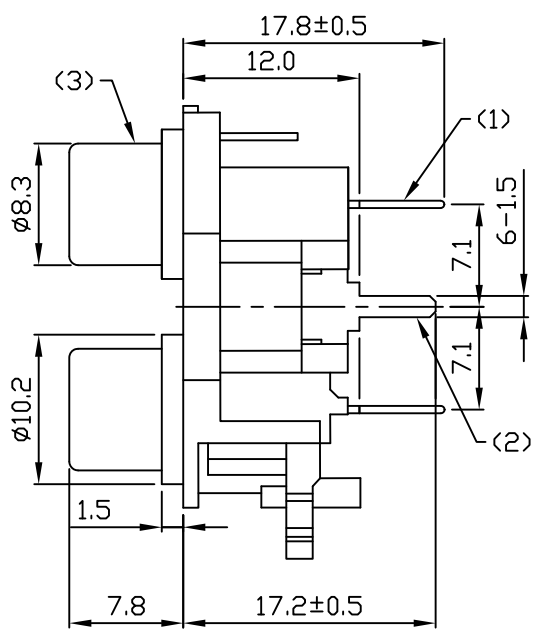
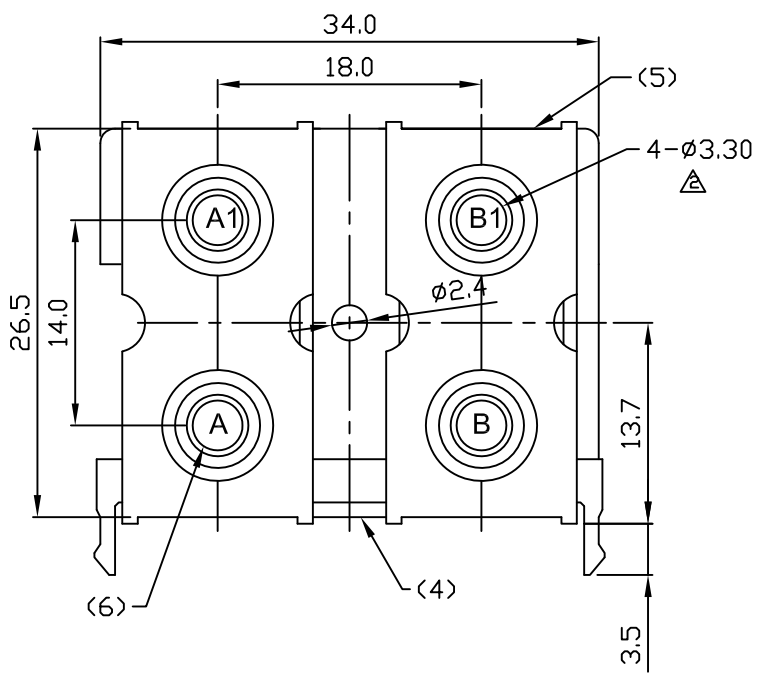


HISTORY X COUNT	DATE	ECN NO.	REV.	REVISION	SIGN.
△	06/27/06'		B	圖面重繪	CHRIS
△ x1	05/MAY/08'	N200805001	C	變更孔徑公差，3.25mm改為3.30mm。	CHRIS



LPA0861 B □ △ — □ □ — A B A1 B1
 (1) (2) (3) (4) (5) (6) (7)

(1):Series No.

(2):Terminal Type

	B	S	V
90°	180°	Wire Soldering	Height=24.5mm

(3):Metal Shielding

	M
Without Shielding	With Shielding

(4):Optional Plastic Material Code

(5):Terminal Plating

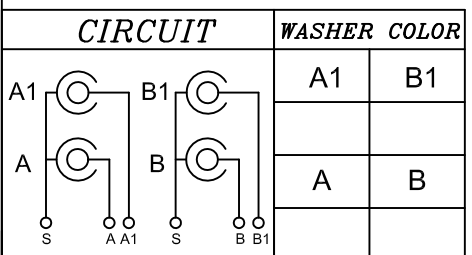
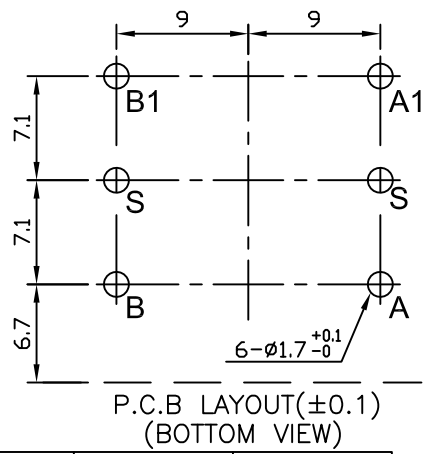
3	5
Sn/Cu	Gold 2u"

(6):Bushing Plating

2	5
Nickel	Gold 2u"

(7):Insulator Color Code:(A→B→A1→B1)

1	2	3	4	5
Black	Red	White	Yellow	Blue
6	7	8	9	
Gray	Green	Orange	Brown	



NO	PART NAME	Q'TY	MATERIAL	PLATED	REMARK
6	WASHER	4	NYLON66 94V2		
5	COVER	2	PBT-94V0 G15		BLACK
4	BASE	1	PBT-94V0 G15		BLACK
3	BUSHING	4	IRON SHEET	NICKEL	
2	EARTH TERMINAL	2	BRASS	Sn/Cu	
1	TIP	4	BRASS	Sn/Cu	



LIH SHENG PRECISION INDUSTRIAL CO., LTD.

TOLERANCE X ±0.5	Material		PART NAME	RCA JACK	
X.X ±0.3	Thickness		PART NO.	LPA0861B-32-	
X.XX ±0.15	Disposal		DATE	11/04/05'	REV: C
	UNIT	SCALE	DRAW	CHECK	APPROVE
	mm	2:1	Chris	Jacky	Ken