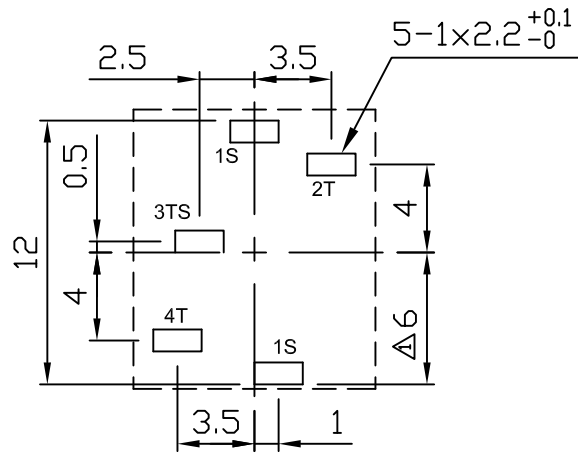
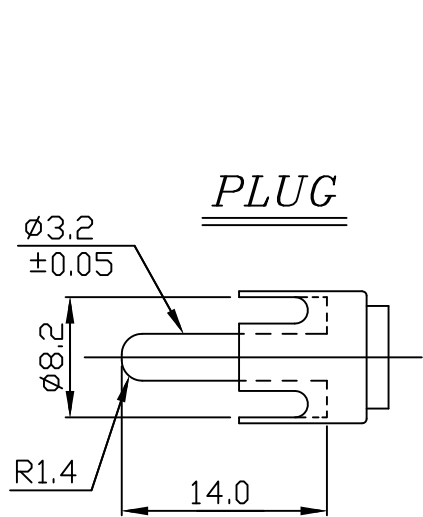
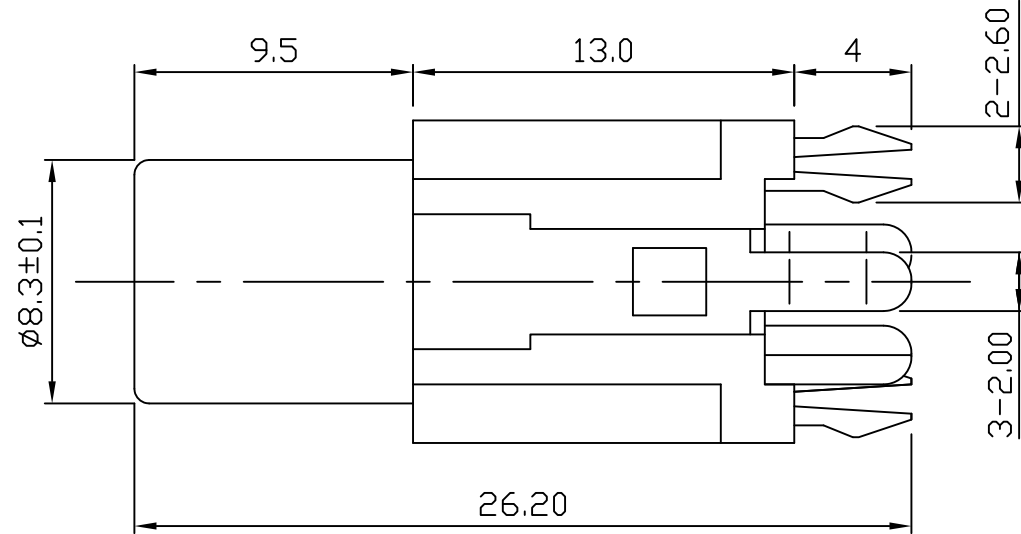
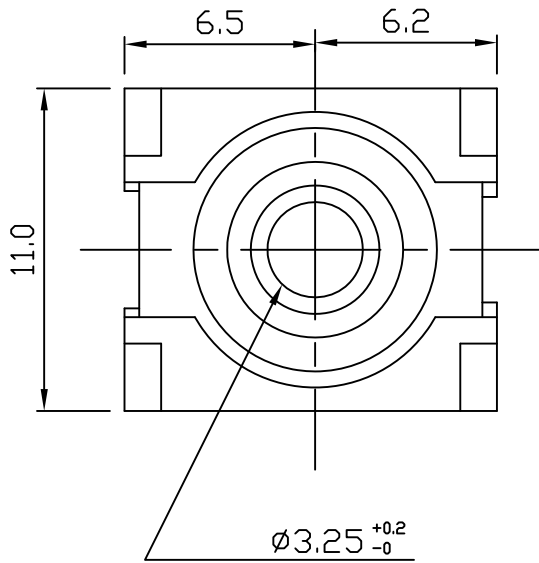
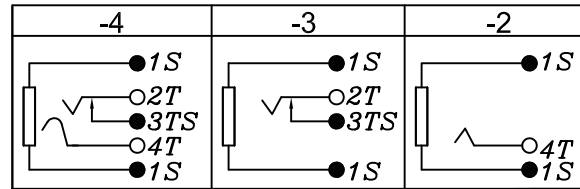


HISTORY X COUNT	DATE	ECN NO.	REV.	REVISION	SIGN.
△ x1	12/30/05'		E	增加LAYOUT尺寸	CHRIS
△ x1	2006.04.26		F	更新色碼表內容	Ken



P.C.B LAYOUT(±0.1)
(BOTTOM VIEW)

HOUSING COLOR	SLEEVE PLATED	
	NI	AU/2u"
BLACK	-4B	-4B-G
RED	-4R	-4R-G
BLUE	-4L	-4L-G
GREEN	-4GR	-4GR-G
WHITE	-4W	-4W-G
YELLOW	-4Y	-4Y-G



LIH SHENG PRECISION INDUSTRIAL CO., LTD.

NO	PART NAME	Q'TY	MATERIAL	PLATED	REMARK
5	BASE	1	PBT-94V0		
4	CONTACT	1	P.B.S	(Sn/Cu)	
3	TIP SHUNT	1	BRASS	(Sn/Cu)	
2	TIP	1	P.B.S	(Sn/Cu)	
1	SLEEVE	1	BRASS	NICKEL	

TOLERANCE X ±0.5 X.X ±0.3 X.XX ±0.15	Material	PART NAME	RCA JACK		
	Thickness		PART NO.	LP-0839-4	
	Disposal	DATE	06/30/84'	REV: F	
UNIT mm	SCALE	DRAW	CHECK	APPROVE	
	4:1	CHRIS	KEN	COOPER	