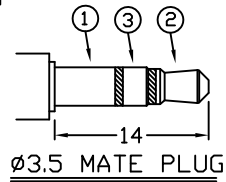
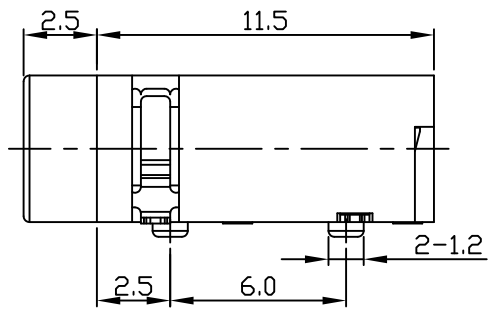
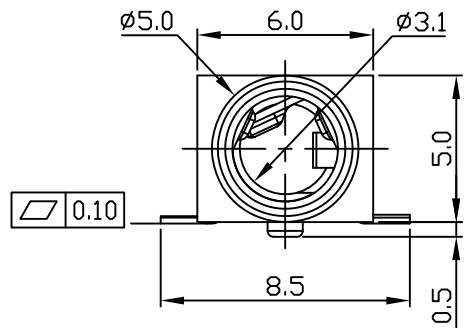


Recommend of PC Board Holes
Tolerance : ±0.05(Top view)



MODEL NO.	-4R	-3RT	-3TS
SCHEMATIC			



LIH SHENG PRECISION INDUSTRIAL CO., LTD.

NO	PART NAME	Q'TY	MATERIAL	REMARK
5	HOUSING	1	PA9T	UL94V-0 (BLACK)
4	TERMINAL 4	1	BRASS	Gold Flash
3	TERMINAL 3	1	PHOSPHOR BRONZE	Gold Flash
2	TERMINAL 2	1	PHOSPHOR BRONZE	Gold Flash
1	TERMINAL 1	1	PHOSPHOR BRONZE	Gold Flash

TOLERANCE X.X ±0.30 X.XX ±0.25 X.XXX ±0.20	Material		PART NAME	EARPHONE JACK(SMT)	
	Thickness		PART NO.	LJE0386-4R-G-10A	
	Disposal		DATE	26/JUL/23'	REV:A
	UNIT	SCALE	DRAW	CHECK	APPROVED
	mm	4:1	Chris	Wen1	Yen