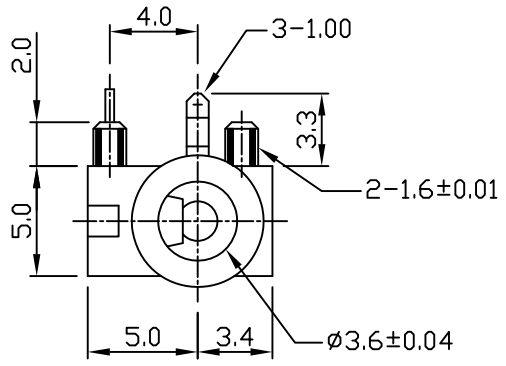
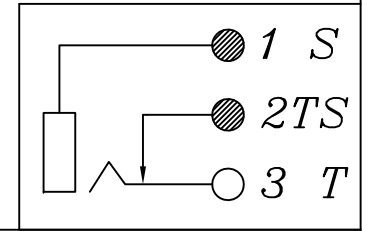
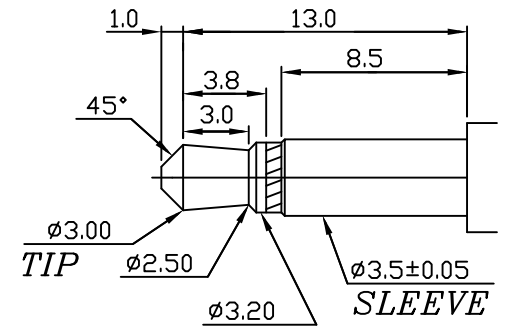


P.C.B LAYOUT(±0.1)  
(BOTTOM VIEW)



PLUG



LIH SHENG PRECISION INDUSTRIAL CO., LTD.

5	HOUSING	1	POM		BLACK
4	BUSHING	1	BRASS	NICKEL	
3	TIP	1	P.B.S	TIN	
2	TIP SHUNT	1	BRASS	TIN	
1	SLEEVE	1	BRASS	TIN	
NO	PART NAME	Q'TY	MATERIAL	PLATED	REMARK

TOLERANCE X ±0.5	Material		PART NAME	EARPHONE JACK	
X.X ±0.3	Thickness		PART NO.	LJE0357-B(TIN)	
X.XX ±0.15	Disposal		DATE	12/JAN/16'	REV:A
	UNIT	SCALE	DRAW	CHECK	APPROVED
	mm	3:1	Chris	Wen1	Yen