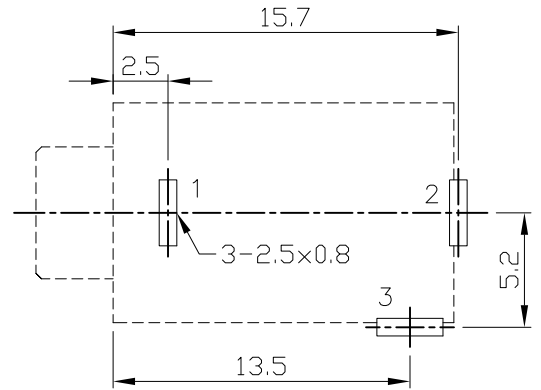
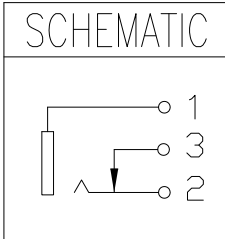
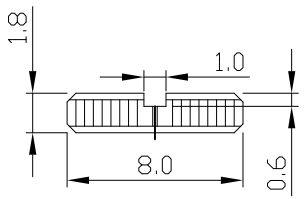
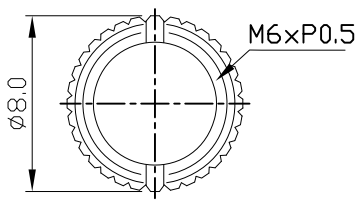


NUT



T:1.6 Dimensions of PC board holes  
Tolerance : ±0.1(Printed-top view)



LIH SHENG PRECISION INDUSTRIAL CO., LTD.

6	NUT	1	BRASS	NICKEL	
5	HOUSING	1	PBT		BLACK
4	BUSHING	1	C2680	NICKEL	
3	SPRING PIECE	1	SUS 301	Tin	
2	CURVE PIECE	1	C2680	Tin	
1	FLAT PIECE	1	C2680	Tin	
NO	PART NAME	Q'TY	MATERIAL	PLATED	REMARK

TOLERANCE X. ±0.5 X.X ±0.3 X.XX ±0.15	Material		PART NAME	EARPHONE JACK	
	Thickness		PART NO.	LJE0351-09A	
	Disposal		DATE	30/JUN/23'	REV:A
	UNIT	SCALE	DRAW	CHECK	APPROVE
	mm	3:1	Chris	Wen1	Yen