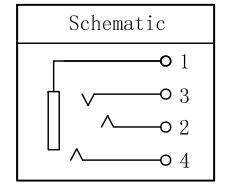
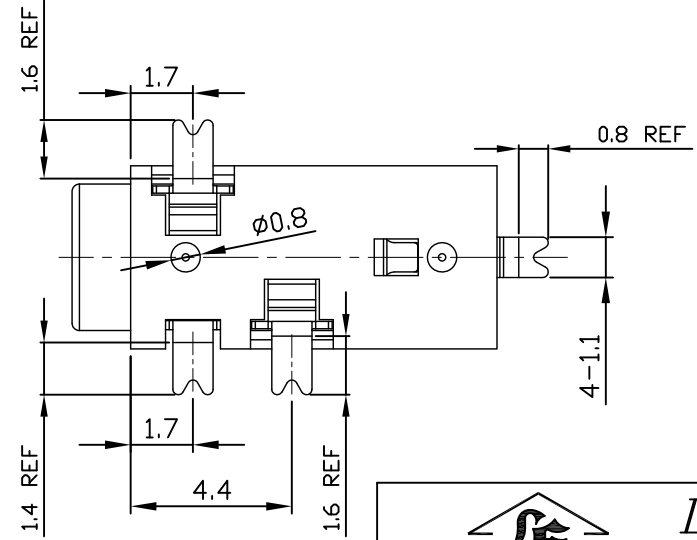
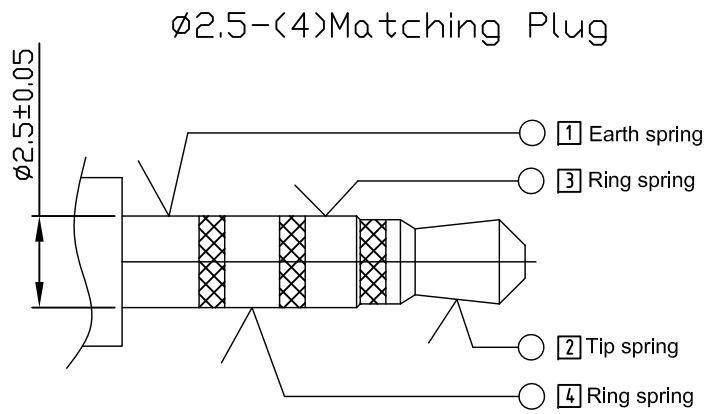


Recommend of PC Board Holes
Tolerance : ± 0.05 (Top view)



LIH SHENG PRECISION INDUSTRIAL CO., LTD.

5	HOUSING	1	PA10T	BLACK
4	TERMINAL 4	1	C5210	SILVER PLATED
3	TERMINAL 3	1	C5210	SILVER PLATED
2	TERMINAL 2	1	C5210	SILVER PLATED
1	TERMINAL 1	1	C5191	SILVER PLATED
NO	PART NAME	Q'TY	MATERIAL	REMARK

TOLERANCE X.X ± 0.30 X.XX ± 0.25 X.XXX ± 0.20	Material	PART NAME EARPHONE JACK(SMT)	PART NO. LJE0266-T4P-10H		
	Thickness		DATE 07/JAN/23'	REV:A	
	Disposal		DRAW Chris	CHECK Wen1	APPROVED Yen
UNIT mm	SCALE 5:1				