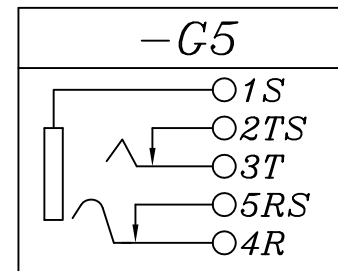
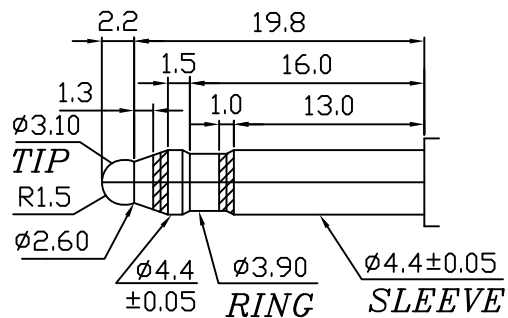


P.C.B LAYOUT(±0.1)  
(BOTTOM VIEW)

PLUG



LIH SHENG PRECISION  
INDUSTRIAL CO., LTD.

6	HOUSING	1	PBT-94V0 G15		BLACK
5	RING SHOUNT	1	P.B.S	GOLD 2u"	
4	RING	1	P.B.S	GOLD 2u"	
3	TIP	1	P.B.S	GOLD 2u"	
2	TIP SHUNT	1	P.B.S	GOLD 2u"	
1	SLEEVE	1	P.B.S	GOLD 2u"	
NO	PART NAME	Q'TY	MATERIAL	PLATED	REMARK

TOLERANCE X. ±0.5 X.X ±0.3 X.XX ±0.15	Material		PART NAME	MINI TELEPHONE JACK	
	Thickness		PART NO.	LJA0451N-G5	
	Disposal		DATE	05/22/87'	REV:A
UNIT mm	SCALE	2:1	DRAW	CHECK	APPROVED
			Chris	Jacky	Ken