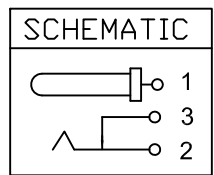
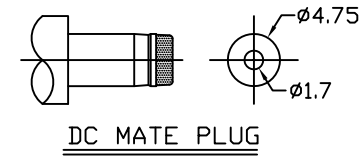
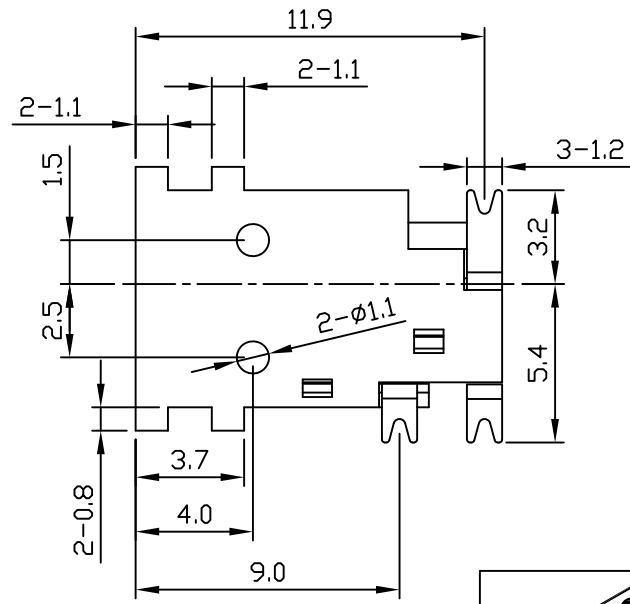
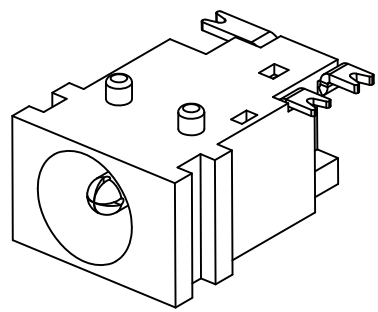


Recommend of PC Board Holes
Tolerance : ±0.05(Top view)



LIH SHENG PRECISION INDUSTRIAL CO., LTD.

4	HOUSING	1	PA9T	BLACK
3	TERMINAL 3	1	BRASS	Silver PLATED
2	TERMINAL 2	1	BRONZE	Silver PLATED
1	TERMINAL 1	1	BRASS	Nickel PLATED
NO	PART NAME	Q'TY	MATERIAL	REMARK

TOLERANCE	Material	PART NAME	DC JACK(SMT)		
X.X ±0.30	Thickness	PART NO.	LD-0215-1.6-10A		
X.XX ±0.25	Disposal	DATE	13/SEP/22'	REV:A	
X.XXX ±0.20	UNIT	DRAW	CHECK	APPROVED	
⊕	mm	SCALE	4:1	Chris	Yen