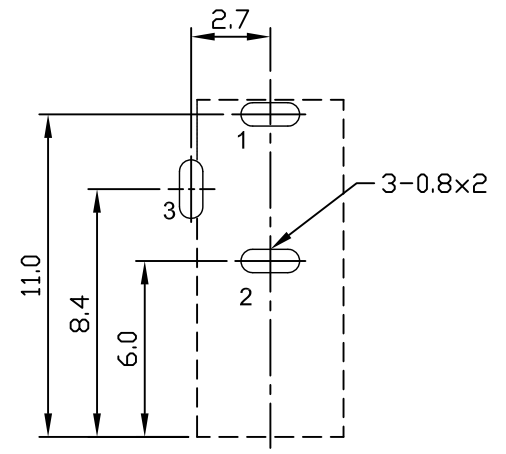
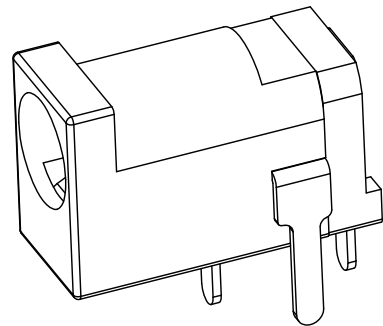


DC-PLUG REF



Recommend of PC Board Holes
Tolerance : ±0.05(BOTTOM VIEW)

SCHEMATIC		CENTER PIN	
	1	φ1.0mm	
	3	φ1.3mm	
	2	φ1.65mm	



LIH SHENG PRECISION INDUSTRIAL CO., LTD.

6	COVER	1	PBT		BLACK
5	HOUSING	1	PBT		BLACK
4	CENTER PIN	1	COPPER ALLOY	NIKCEL	
3	CURVE PIECE	1	BRASS	SILVER	
2	SPRING PIECE	1	P.B.S	SILVER	
1	FLAT PIECE	1	BRASS	SILVER	
NO	PART NAME	Q'TY	MATERIAL	PLATED	REMARK

TOLERANCE	Material		PART NAME	DC JACK	
X ±0.5	Thickness		PART NO.	LD-0209-x.x-10A	
X.X ±0.3			DATE	30/JUL/21	REV:A
X.XX ±0.15	Disposal		DRAW	CHECK	APPROVED
	UNIT	SCALE	DRAW	CHECK	APPROVED
	mm	6:1	Chris	Wen1	Yen